

Aero Table Stand

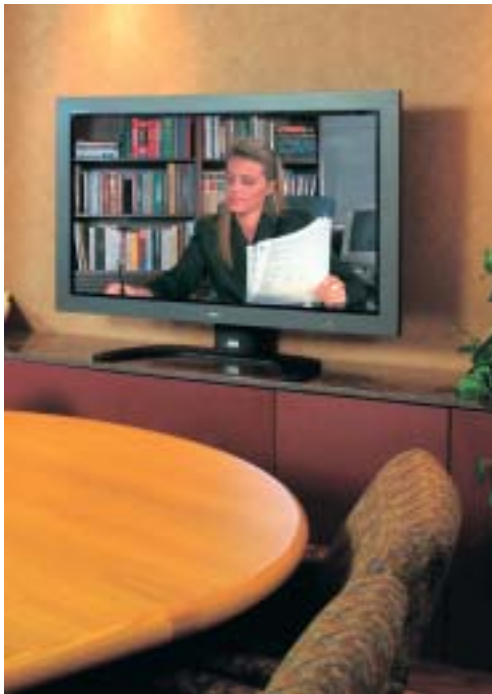
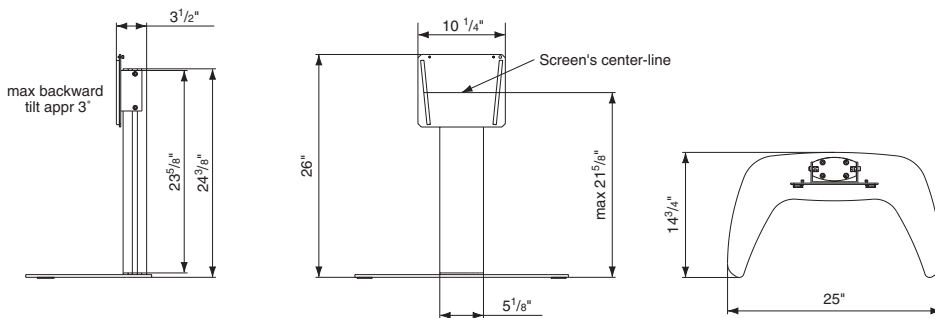
Table Stand

The AERO TABLE STAND allows for easy placement of a plasma display on a table or credenza for trade shows, office or boardrooms. Its modern design complements the sleek proportions of any plasma display. The AERO TABLE STAND's well balanced shape and weighted base ensure a stable and safe platform for even the largest plasma display. It stands 24 $\frac{3}{8}$ " high, and the base is 25" wide x 14 $\frac{3}{4}$ " deep.

Features:

- Maximum capacity 220 lbs.
- Handles displays up to 61" diagonal.
- Column has built-in cable management system.
- Matt black powdercoat finish.
- Includes the universal or display-specific bracket you need.
- Bracket can be secured with padlock to prevent theft.
- Warranted for one year against defects in materials and workmanship.

Dimensional Drawings: Table Stand



Draper's Table Stand is picture perfect for both commercial and residential applications